

GROVE

WARMLUFT-ZUSATZHEIZUNG DIESEL UNTERWAGEN 3500 W
HOT AIR AUXILIARY HEATER DIESEL CHASSIS FRAME 3500 W

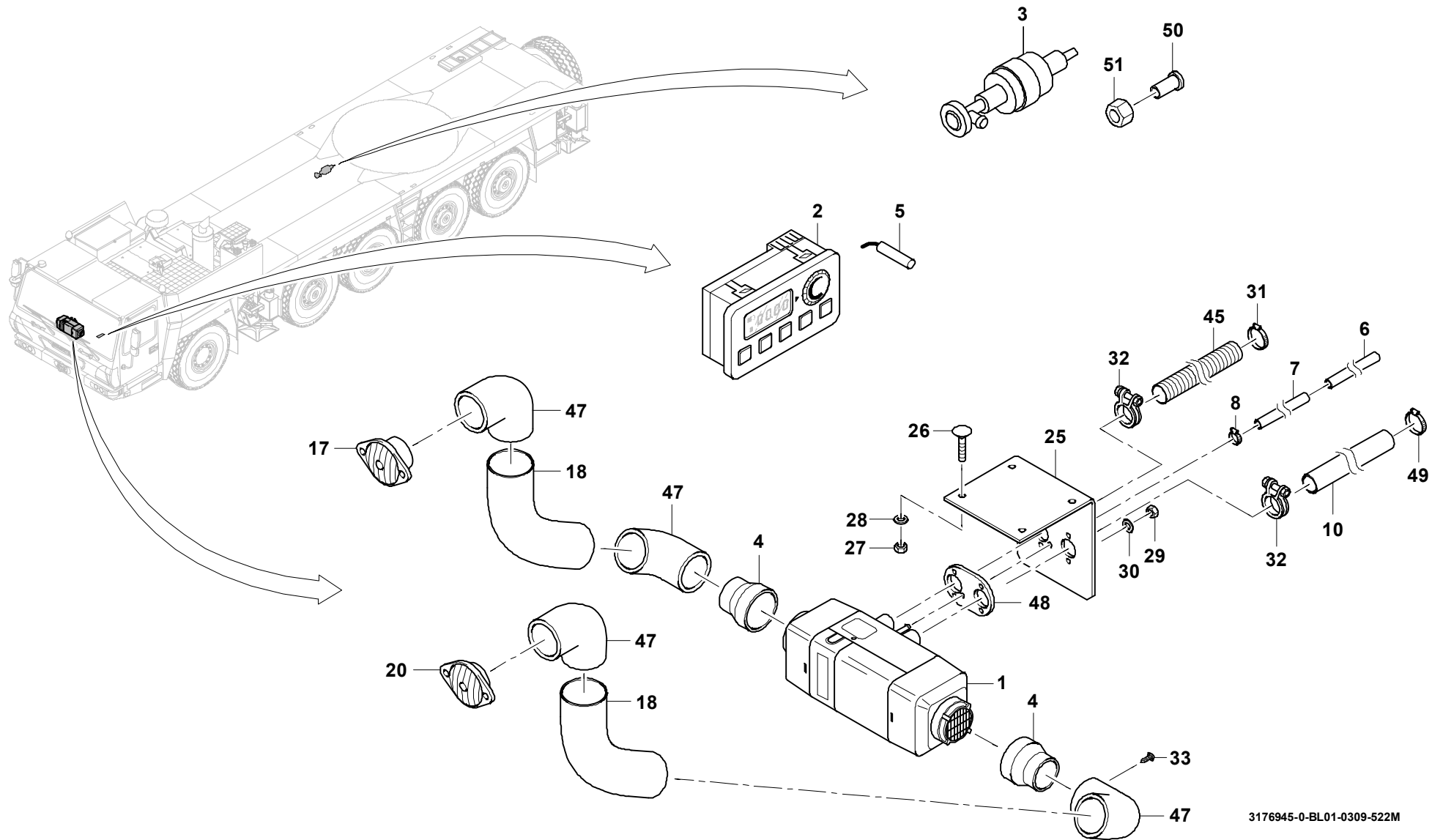
BILDТАFЕL
PICTORIAL DISPLAY

03.09

3176945-ETL #

1/1

GMK 5220
BE 753
G 291



3176945-0-BL01-0309-522M